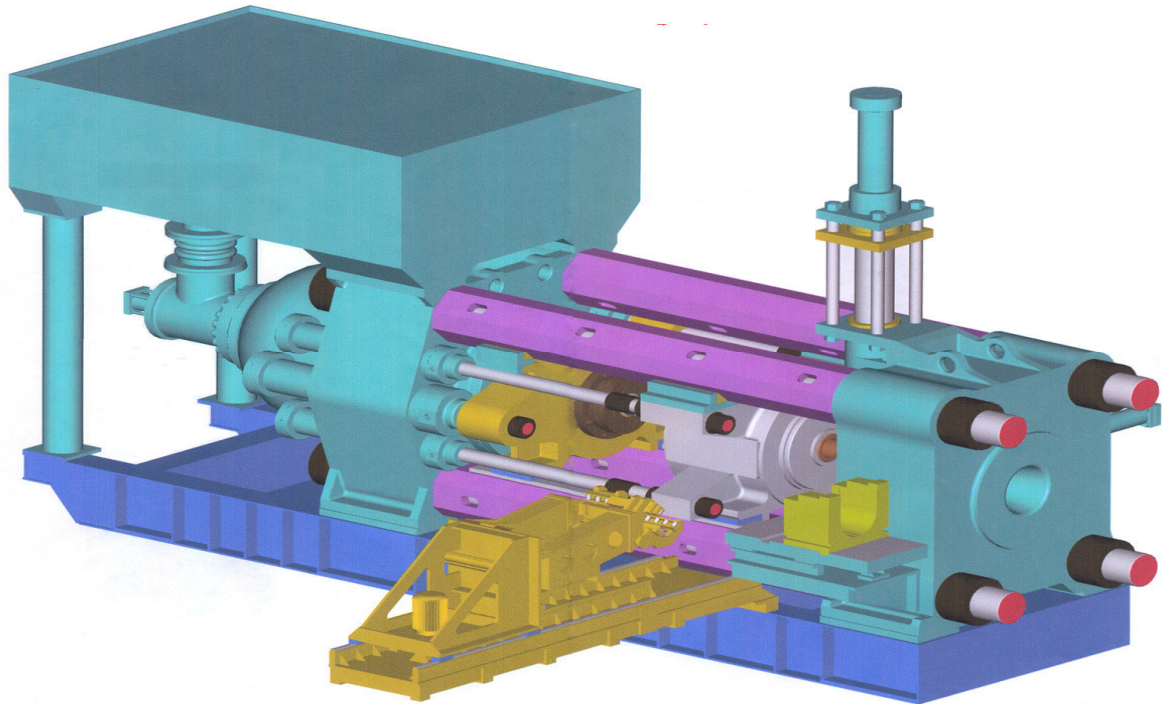


EXTRUSION PRESS



and Related Equipment

MAINTENANCE MANUAL

J.A. Kennedy
2024 Updates

Published by

Kennedy Eurotech, Inc.

Extrusion Press Maintenance Manual

2024 Edition

Copyright 2015
By
Kennedy Eurotech, Inc.

All Rights Reserved.

*This book or any part thereof must not be
reproduced in any form without written
permission from Kennedy Eurotech, Inc.*

PRINTED IN THE UNITED STATES OF AMERICA

2024 Updates Edition

Edited & Published by
J.A. Kennedy
Kennedy Eurotech, Inc.
4 Oak Point
Newnan, Georgia 30263 USA
Telephone 770-304-1000
alkennedy@usa.net - www.alkennedy.net

Authorized sales agent:

Aluminum Extruders Council
1000 N. Rand Road, Suite 214
Wauconda IL 60084 USA
Telephone 847-526-2010 - Fax 847-526-3993
www.AEC.org

ISBN 7 38759 90244 2